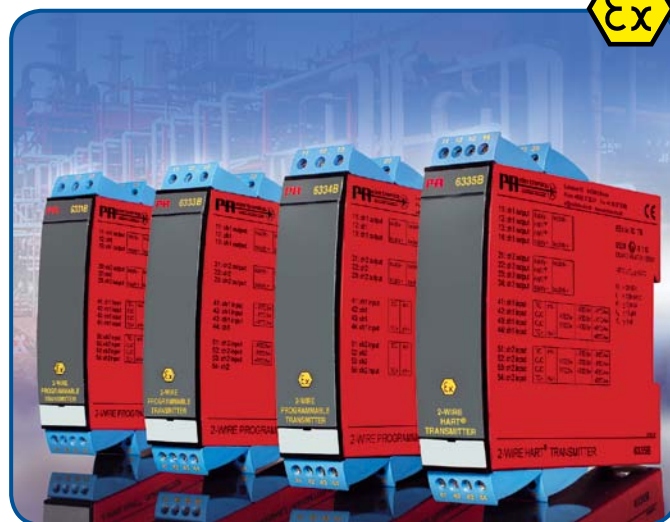


PROFIBUS® PA/FOUNDATION™ FIELDBUS TRANSMITTER



- PROFIBUS® PA ver. 3.0
- FOUNDATION™ Fieldbus ver. ITK 4.6
- Automatic switch between protocols
- FISCO-certified
- Basic or LAS capability with F.F.



Application:

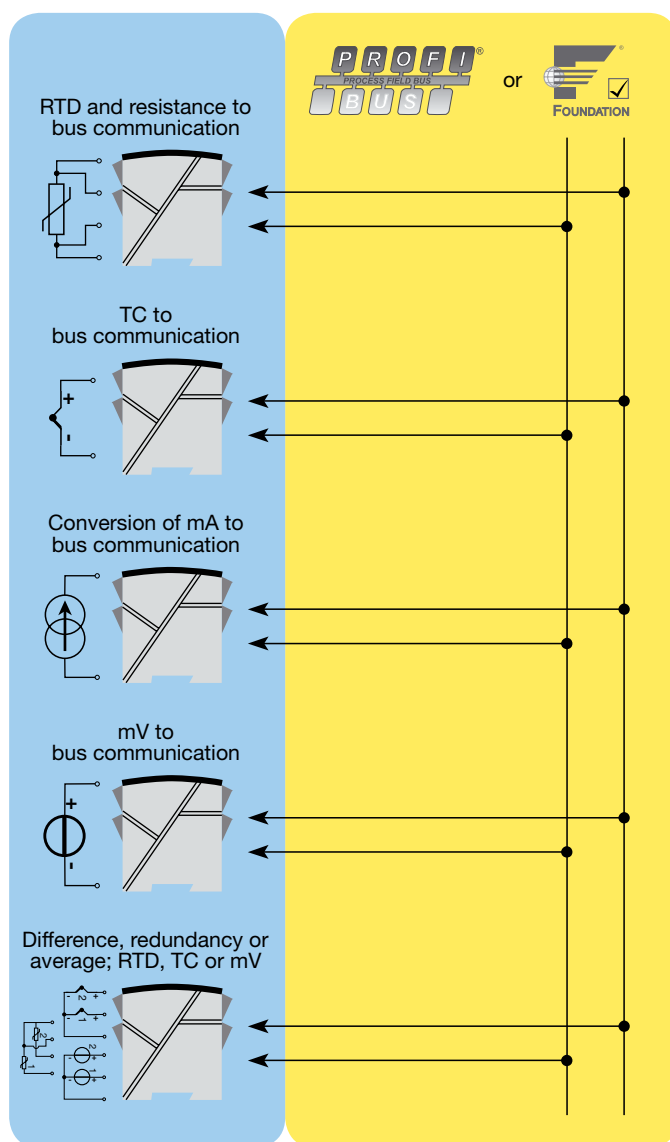
- Linearised temperature measurement with RTD or TC sensor.
- Converts analogue mA signals into digital values on the bus communication.
- Difference, average or redundancy temperature measurement with RTD or TC sensor.
- Linear resistance, potentiometer and bipolar mV measurement.

Technical characteristics:

- Bus transmitter with both PROFIBUS® PA and FOUNDATION™ Fieldbus communication. A unique switch function ensures automatic shift between the two communication protocols.
- Set-up for PROFIBUS® PA can be done via Siemens Simatic® PDM®, ABB Melody / Harmony and Metso DNA software and for FOUNDATION™ Fieldbus via Emerson DeltaV, Yokogawa CS 1000 / CS 3000, ABB Melody / Harmony and Honeywell Experion software.
- Built-in simulation mode function.
- Polarity-independent bus connection.
- 24 bit A/D converter ensures high resolution.
- PROFIBUS® PA function blocks: 2 analogue.
- FOUNDATION™ Fieldbus function blocks: 2 analogue and 1 PID.
- FOUNDATION™ Fieldbus capability: Basic or LAS.

Mounting / installation:

- Mounted vertically or horizontally on a DIN rail. Using the 2-channel version up to 84 channels per metre can be mounted.



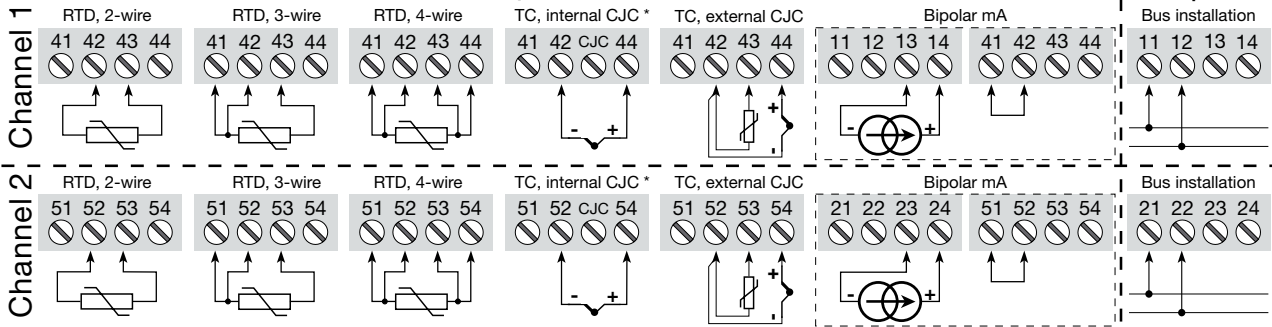
Type	Galvanic isolation	Channels
6350B	1500 VAC : 2	Single : A Double : B

*NB! Please remember to order CJC connectors type 5910Ex (channel 1) and 5913Ex (channel 2) for TC inputs with an internal CJC.

Connections:

All connection options are shown in the user manual.

Inputs:



Outputs:

Electrical specifications:

Specifications range:

-40°C to +60°C

Common specifications:

- Supply voltage..... 9...30 VDC
 - In FISCO installations..... 9...17.5 VDC
 - Internal consumption, per channel.... < 11 mA
 - Isolation voltage, test / operation..... 1.5 kVAC / 50 VAC
 - Signal / noise ratio..... Min. 60 dB
 - Signal dynamics, input..... 24 bit
 - Calibration temperature..... 20...28°C
- Accuracy, the greater of general and basic values:

General values		
Input type	Absolute accuracy	Temperature coefficient
mA	≤ ±0.05% of reading	≤ ±0.003% of reading / °C
Other types	≤ ±0.05% of reading	≤ ±0.002% of reading / °C

Basic values		
Input type	Basic accuracy	Temperature coefficient
Pt100 and Pt1000	≤ ±0.1°C	≤ ±0.002°C / °C
Ni100...Ni1000	≤ ±0.15°C	≤ ±0.002°C / °C
Cu10	≤ ±1.3°C	≤ ±0.02°C / °C
Lin. R	≤ ±0.05 Ω	≤ ±0.002 Ω / °C
mA	≤ ±1 μA	≤ ±0.06 μA / °C
mV	≤ ±10 μV	≤ ±0.2 μV / °C
TC type: E, J, K, L, N, T, U	≤ ±0.5°C	≤ ±0.010°C / °C
TC type: B, R, S, W3, W5	≤ ±1°C	≤ ±0.025°C / °C

EMC immunity influence < ±0.1% of reading
 Extended EMC immunity:
 NAMUR NE 21, A criterion, burst..... < ±1% of reading

Humidity < 95% RH (non cond.)
 Dimensions (H x W x D)..... 109 x 23.5 x 104 mm
 Weight (1 / 2 channels)..... 145 / 185 g

Electrical specifications, input:

RTD and linear resistance input:

RTD type	Min. value	Max. value	Standard
Pt25...Pt1000	-200°C	+850°C	IEC 60751 / JIS C 1604
Ni25...Ni1000	-60°C	+250°C	DIN 43760
Cu10...Cu1000	-200°C	+260°C	α = 0.00427
Lin. resistance	0 Ω	10 kΩ	-
Potentiometer	0 Ω	100 kΩ	-

Bipolar current input:

Measurement range -100...+100 mA
 Input resistance 10 Ω + PTC < 20 Ω

TC / mV input:

Type	Min. value	Max. value	Standard
B	+400°C	+1820°C	IEC 60584-1
E	-100°C	+1000°C	IEC 60584-1
J	-100°C	+1200°C	IEC 60584-1
K	-180°C	+1372°C	IEC 60584-1
L	-200°C	+900°C	DIN 43710
N	-180°C	+1300°C	IEC 60584-1
R	-50°C	+1760°C	IEC 60584-1
S	-50°C	+1760°C	IEC 60584-1
T	-200°C	+400°C	IEC 60584-1
U	-200°C	+600°C	DIN 43710
W3	0°C	+2300°C	ASTM E988-90
W5	0°C	+2300°C	ASTM E988-90
Ext. CJC	-40°C	+135°C	IEC60751
mV	-800	+800	-

Cold junction compensation (CJC) ... < ±0.5 °C

Output:

PROFIBUS® PA connection:

PROFIBUS® PA protocol standard EN 50170 vol. 2
 PROFIBUS® PA address (at delivery). Channel 1 & 2 = 126
 PROFIBUS® PA function blocks 2 analogue

FOUNDATION™ Fieldbus connection:

FOUNDATION™ Fieldbus capability LAS or Basic
 FOUNDATION™ F. function blocks 2 analogue and 1 PID

Ex / I.S. approval:

KEMA 03ATEX1012 II 1 G Ex ia IIC
 T4...T6 or
 II 2 (1) G Ex ib [ia] IIC
 T4...T6
 II 1 D Ex iaD

Applicable in zone 0, 1, 2, 20, 21 or 22
 ATEX Installation Drawing No. 6350QA01

FM and CSA, applicable in..... IS, Cl. I, Div. 1, Gr. A, B, C, D
 IS, Cl. I, Zone 0/1, Gr. IIC
 IS, Cl. I, Div. 2, Gr. A, B, C, D
 FM/CSA Installation Drawing No.. 6350QE02

GOST R approval:

VNIIFTRI, Cert. no. www.prelectronics.com

Observed authority requirements: Standard:

EMC 2004/108/EC EN 61326-1
 ATEX 94/9/EC EN 60079-0, -11, -26, -27
 EN 61241-0, -11
 FM 3600, 3610, 3611
 CSA, CAN / CSA C22.2 No. 142, No. 157
 CAN / CSA E79-0, -11, -15
 ANSI / UL UL 60079-0, -11, -15