

R/I TRANSMITTER



- Input for Pt100, Ni100 or Ohm
- Sensor cable compensation
- Linearised analogue output
- 24 VDC or universally supplied
- Individual 0 and 100% adjustment
- DIN rail mounting on a standard 11-pole relay socket



Application:

Electronic temperature measurement with a Pt100...Pt1000 or a Ni100...Ni1000 sensor. • Conversion of a linear resistance change to a standard analogue current / voltage signal from e.g. valves or linear movements with attached potentiometer. • As signal simulator via externally mounted 10-turn potentiometer. • Suitable in applications with potentiometers that are not fully utilised as the 0 and 100% adjustments on the front can be adjusted individually without interacting.

Technical characteristics:

General:

The unit is built around a microprocessor core with an efficient program operation. The supply voltage may be ordered to 24 VDC or with a universal supply of 24...230 VAC and 24...250 VDC with galvanic isolation between supply and input / output ground. The adjustment range for the 0 and 100% trimmers has a standard set-up for $\pm 2.5\%$ of span, but the module may be ordered with an adjustment range of up to $\pm 25\%$. The sensor connection is always a 3-wire connection with cable compensation for up to 10Ω in each wire. If a 2-wire connection is requested, pin 7 and 6 must be short-circuited in the socket (no cable compensation).

Input:

Pt100 temperature input according to the norm IEC 751 within the range $-200...+850^{\circ}\text{C}$. Ni100 temperature input according to the norm DIN 43760 within the range $-50...+250^{\circ}\text{C}$. Linear resistance input within the range $0...10 \text{ k}\Omega$. The measurement range should be specified when placing the order, e.g. $0...150^{\circ}\text{C}$. The min. span is 50°C for the RTD input; for linear resistance the min. span is 30Ω . The RTD input can be delivered as multiples of the main type (e.g. Pt100 x 10 = Pt1000). The input can be reversed so that 0% e.g. is 150°C and 100% is 0°C .

Output:

Analogue standard current / voltage output of $0/4...20 \text{ mA}$ / $0/2...10 \text{ VDC}$. The output signal is proportional and linear to the value of the temperature or resistance value that influences the input. Special current or voltage signals can be ordered. The max. load of the current output is 600Ω . The minimum load of the voltage output is $500 \text{ k}\Omega$. Also, a number of different sensor error detection methods are offered, for instance Upscale $\geq 23 \text{ mA}$.

Electrical specifications:

Specifications range:

-20°C to $+60^{\circ}\text{C}$

Common specifications:

Supply voltage, DC	19.2...28.8 VDC
Supply voltage, universal	21.6...253 VAC, 50...60 Hz or 19.2...300 VDC
Internal consumption, 2202 __ D	$\leq 0.9 \text{ W}$
Intern. consum., 2202 __ P (uni. sup.)	$\leq 1.4 \text{ W}$
Isolation, test / oper. (2202 __ P)	3.75 kVAC / 250 VAC
Signal / noise ratio	Min. 60 dB
Signal dynamics, input	17 bit
Signal dynamics, output	16 bit
Response time (0...90%, 100...10%)	$< 165 \text{ ms}$
Calibration temperature	$20...28^{\circ}\text{C}$
Temperature coefficient:	
span $< 100^{\circ}\text{C}$	$\pm 0.01^{\circ}\text{C} / ^{\circ}\text{C}_{\text{amb}}$
span $> 100^{\circ}\text{C}$	$\pm 0.01\%$ of span $/ ^{\circ}\text{C}_{\text{amb}}$
Linearity error	$\pm 0.1\%$ of span
EMC immunity influence	$\pm 0.5\%$
Humidity	$< 95\%$ RH (non-cond.)
Dimensions (HxWxD)	$80.5 \times 35.5 \times 84.5 \text{ mm}$
Protection degree	IP50
Weight DC / universally supplied	100 g / 150 g

Input:

Type	Min. value	Max. value	Min. span	Standard
Pt100	-200°C	$+850^{\circ}\text{C}$	50°C	IEC 751
Ni100	-50°C	$+250^{\circ}\text{C}$	50°C	DIN 43760
Lin.R	0Ω	$10 \text{ k}\Omega$	30Ω	-----

Max. offset	50% of max. value
Adjustment acc. to order	$\pm 2.5... \pm 25\%$ of span
Cable resistance per wire max.	10Ω
Sensor current	$> 0.2 \text{ mA}$, $< 0.4 \text{ mA}$
Basic accuracy	$\pm 0.3^{\circ}\text{C}$

Output:

Signal range	$0...20 \text{ mA}$ / $0...10 \text{ VDC}$
Min. signal range	5 mA / 250 mV
Max. offset	50% of max. value
Load (max.)	20 mA / 600Ω / 12 VDC
Load stability	$\pm 0.01\%$ of span / 100Ω
Sensor error detection	Upscale / Downscale
Current limit	$\leq 28 \text{ mA}$

GOST R approval:

VNIIM, Cert. no. Ross DK.ME48.V01899

Observed authority requirements: Standard:

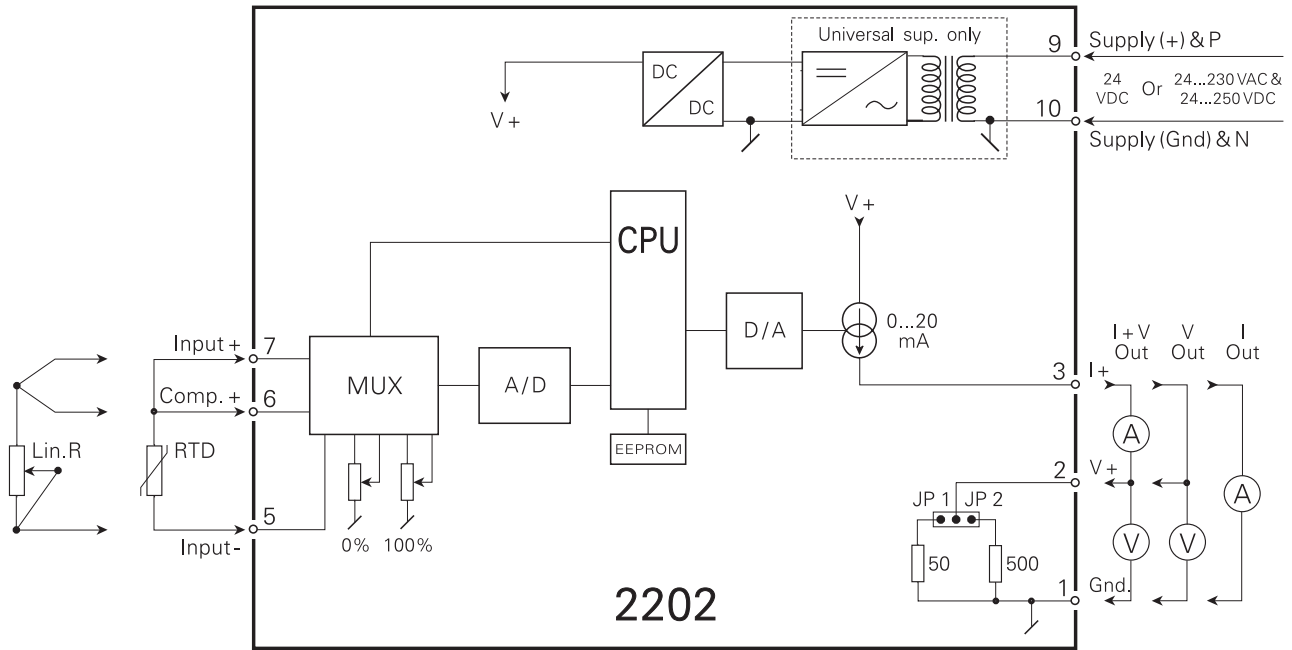
EMC 2004/108/EC	
Emission and immunity	EN 61326-1
LVD 2006/95/EC (2202 __ P)	EN 61010-1

Of span = Of the presently selected range

Order: 2202

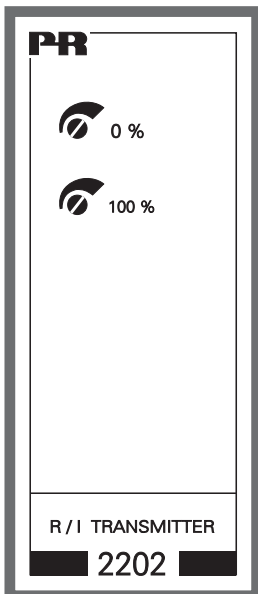
Type	Input	Output	Supply	Range
2202	Pt100 : L	Spec. : 0	24 VDC : D	Acc. to order
	Ni100 : N	0...20 mA : 1	24...230 VAC & : P	
	Lin. R : R	4...20 mA : 2	24...250 VDC	
	Spec. : X	0...5 mA : 3		
		0...1 V : 4		
		0.2...1 V : 5		
		0...10 V : 6		
		2...10 V : 7		

Block diagram:



For 2-wire connection pin 6 and 7 must be short-circuited in the socket.

Front layout:



Voltage output:	
JP1 ON	0/0.2...1 VDC
JP2 ON	0/2...10 VDC
Short-circuit pins 3 and 2, V+ = 2, V- = 1	